

RIGHT POWER®
The Power of Continuity

Modular Data Center Solution

RP Smart Container

RP Smart Container Data Center

Introduction

The RP Smart Container Data Center features an all-in-one design with factory-prefabricated installation, integrating the power supply and distribution system, air conditioning, cabinet system, enclosed aisle, monitoring, and fire protection systems—all within a single container. This self-contained unit supports independent operation and is fully managed via the eSite Monitoring System. It is specifically designed to meet the demands of outdoor data center deployments, offering rapid deployment and agile delivery.



Product Features ▼



Safe and reliable

- All components follow domestic and international standardized production standard to ensure product quality.
- Ip55 protection, with excellent waterproof performance, suitable for a variety of complex scenes.
- Redundant design of key components to improve system reliability.
- Integrated video, access control and intelligent monitoring management system to ensure safe and reliable equipment operation.



High efficiency and energy saving

- All-in-one design, hot and cold aisle isolation, fully enclosed design, improve the efficiency of cooling capacity and save energy.
- Adopt full inverter precision air conditioner, output cooling capacity on demand, precise cooling and save more energy.
- Adopt energy-efficient modular UPS with intelligent sleeping function, more energy-saving.
- Integrated design of power distribution cabinet and UPS, saving space.

RP Smart Container Data Center



Rapid installation

- Power supply and distribution, air conditioner, cabinets system, closed access, monitoring system and fire protection system are factory prefabricated and pre-installed, plug-and-play.
- Standard container, in line with domestic and international sea and land transportation conditions, worldwide reachable.
- No need for professional server room, can be installed directly on the concrete floor of the building or outdoor, simple and fast.



Intelligent management

- Intelligently monitor the working status of power environmental system.
- Real-time alerts can be made in time via SMS, tele voice, email, sound and light.
- Provide a variety of human-machine interaction methods such as O&M screen, remote APP, local LCD and We
- Provide ModbusTCP, MQTT and other network interfaces to facilitate system integration.

Applicable Scene ▼

It is especially suitable for data centers in special industries such as sports venue construction, military camp deployment, oil exploration, marine scientific research, disaster preparedness, and emergency communications, as well as data centers restricted by space, geographical environment, and environmental protection.



Sports events



Oil exploration



Marine scientific research

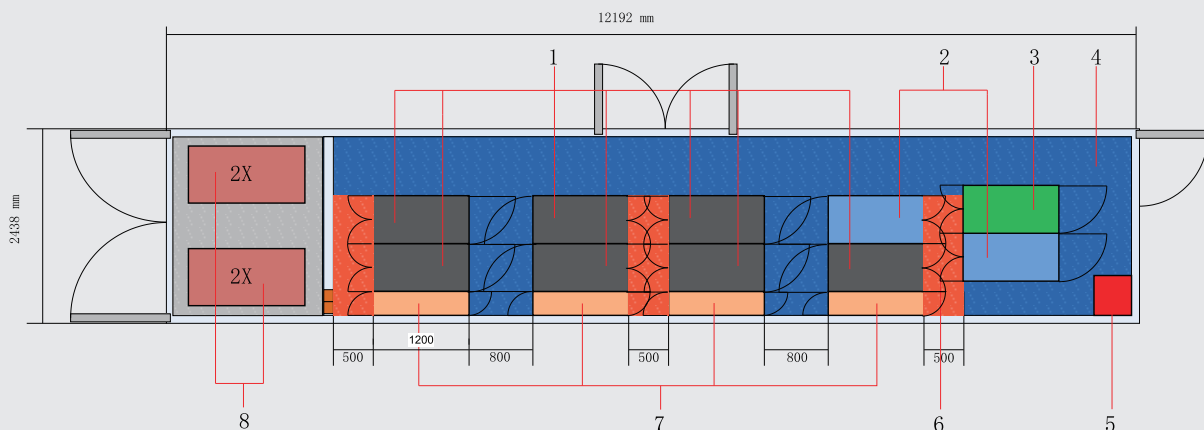


Emergency communications

Applicable power ▼

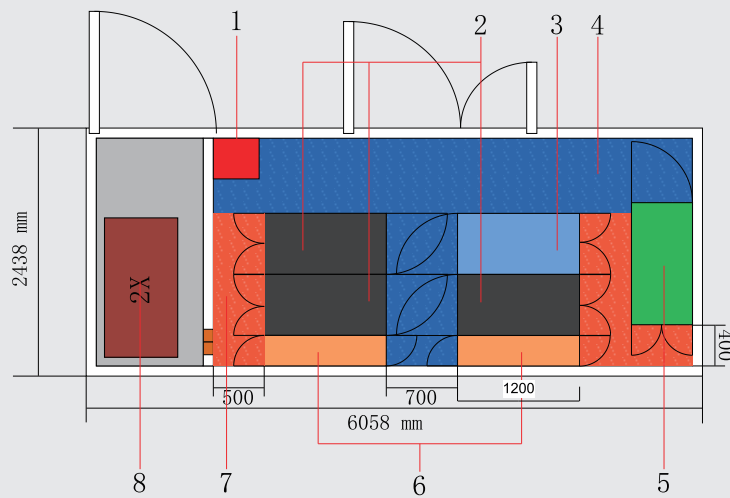
Capacity of single cabinet≈9kW

Product Layout Diagram ▼



- ① IT rack cabinet ② Battery cabinet ③ Power distribution cabinet ④ Cold aisle
⑤ Fire extinguisher ⑥ Hot aisle ⑦ In-row air conditioner ⑧ Outdoor unit

RP Smart Container Data Center

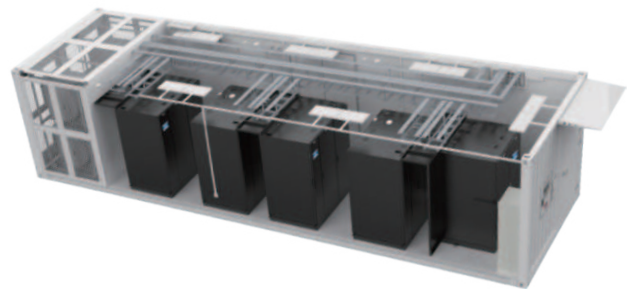


- ① Fire extinguisher
- ② IT rack cabinet
- ③ Battery cabinet
- ④ Cold aisle
- ⑤ Power distribution cabinet
- ⑥ In-row air conditioner
- ⑦ Hot aisle
- ⑧ Outdoor unit

Product Demo ▼



China market



Overseas markets

RP Smart Container Data Center

Parameters ▼

RP Smart Container Data Center			
		40ft layout All-In-One solution	20ft layout All-In-One solution
Cabinet System	Size of IT cabinet (W×D×H) mm	600×1200×2000	600×1200×2000
	Num. of IT cabinet (pcs)	8	3
	Power of each cabinet (kW)	6/9 (High density)	6/9 (High density)
	Total power (kW)	48/72 (High density)	18/27 (High density)
Power and Distribution System	Power supply system	250A Dual input/ATS optional; 380/400/415V, 50/60Hz, 3Ph+N+PE; input lightning protection 8/20us, In=20kA, I _{max} =40kA	125A Dual input/ATS optional; 380/400/415V, 50/60Hz, 3Ph+N+PE; input lightning protection 8/20us, In=20kA, I _{max} =40kA
	UPS	Modular Online UPS 90~150kVA	Modular Online UPS 40~90kVA
	Battery back-up time	In-row battery cabinet, the number of battery and capacity can be selected according to project requirements	
	PDU	16 port IEC PDU (C13*12+C19*4) ,32A	
Cooling System	Cooling method	Default installation of 25kW air-cooled inverter in-row air conditioner (300mm wide)	
Monitoring System	Power and environment system	Monitoring host can realize the centralized monitoring of integrated power distribution cabinet, UPS, air conditioning, access control, video, fire, etc., and support sound and light, telephone, WeChat, SMS, e-mail multiple alarm methods	
	Access control	Support IC card + password + fingerprint three-in-one access control system, optional face recognition	
	Local Display	Support 10.1 inch touch screen, support local touch screen, client, remote Web, mobile app and other display methods	
Fire Prevention System	Fire extinguishing system	Automatic flooding fire extinguishing system, cold/hot aisles are equipped with smoke and temperature sensor, automatic control of fire gas release , support for sound and light, gas release indicator and other warning methods, support for manual emergency opening of the fire extinguishing system (optional Pipe fire extinguishers)	
	Fire extinguishing gas	FM200/HFC-227ea (Novec 1230 optional)	
Container Structure	Container size (H×W×L) mm	40ft:2896×2438×12192	20ft:2896×2438×6058
	Weight of container (T)	8	4
	Container load-bearing (T)	15	7
	Container protection	Waterproof, dustproof, anti-mold, protection grade:IP55	
Operation Environment	Ambient temperature (°C)	-40~50 (-20 °C below require optional low temperature components and water pipes need to do insulation treatment)	
	Altitude (m)	More than 1000m need to be derated	



www.rightpowerups.com.my



RIGHT POWER[®]

RIGHT POWER TECHNOLOGY SDN BHD 200001000536(503141-M)

No 16, Jalan TPK 2/4, Taman Perindustrian Kinrara, 47100 Puchong, Selangor, Malaysia.
Tel: +603 8075 7888 Fax: +603 8076 5388

RIGHT POWER TECHNOLOGY (SOUTHERN) SDN BHD 202401027088 (1572937-P)

(A subsidiary of Right Power Technology Sdn Bhd)
No 7-01, Jalan Kencana Mas 1/1, Kawasan Perindustrian Tebrau 3, 81100 Johor Bahru, Johor, Malaysia
Tel: (6016) 213 0407